

PRODUCT PAGE

For technical and availability information,
please contact Onmar.

+46 (0) 16 42 86 80

info@onmar.se

www.onmar.se

CAST HINGE

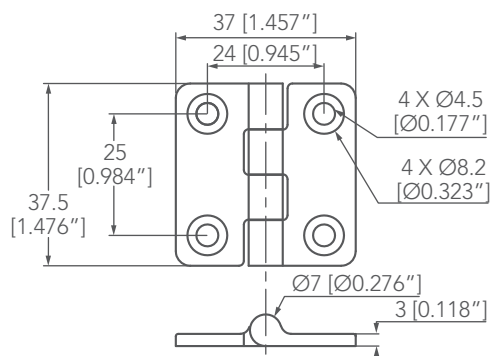
Stainless Steel 316

- Low profile design.
- Barrel is welded closed on both ends.
- Tight tolerance construction.
- Durability and beauty combined.



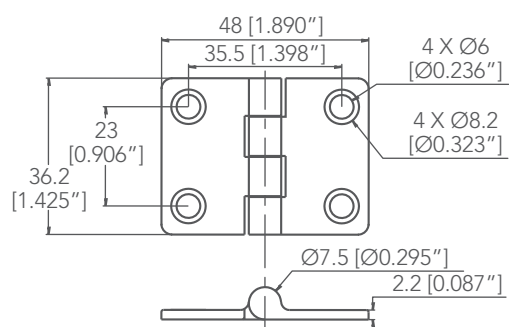
EH-4A-4V4-24

| TYPE | SIZE |
|-----------|--|
| Barrel Up | 37.5mm X 37mm 1-1/2" X 1-7/16" Screw : M4 or #8. |



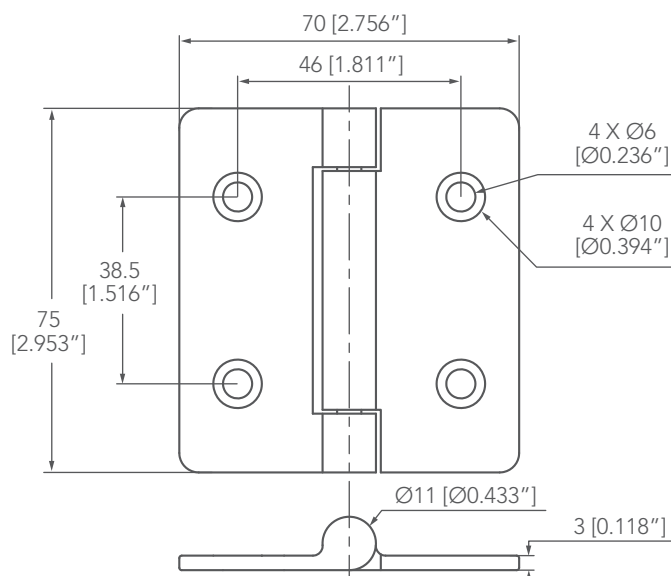
EH-4A-4V5-24

| TYPE | SIZE |
|-----------|--|
| Barrel Up | 36.2mm X 48mm 1-7/16" X 1-7/8" Screw : M4 or #8. |



N6-7A-7V8-24

| TYPE | SIZE |
|-----------|--|
| Barrel Up | 75mm X 70mm 2-15/16" X 2-3/4" Screw : M5 or #10. |



PRODUCT PAGE

For technical and availability information,
please contact Onmar.

+46 (0) 16 42 86 80

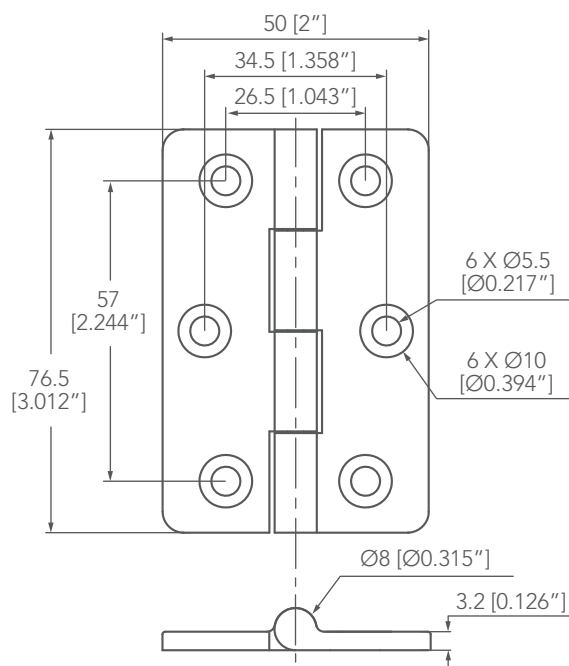
info@onmar.se

www.onmar.se



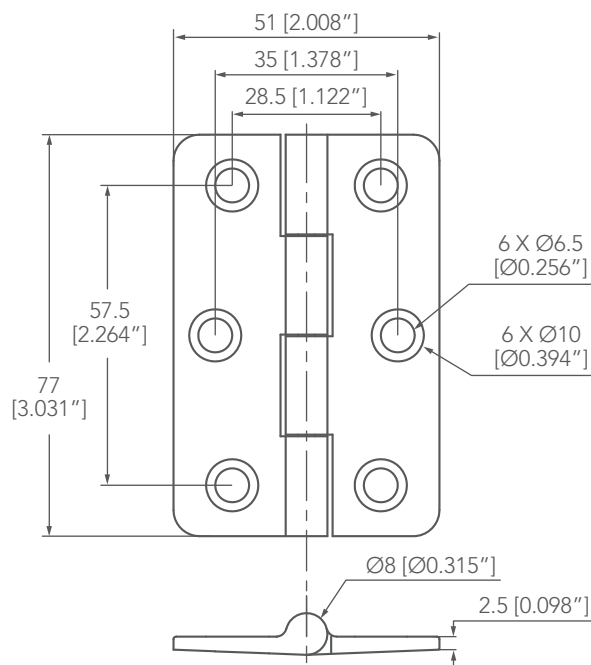
EH-4A-8V5-24

| TYPE | SIZE |
|-----------|--------------------------|
| Barrel Up | 76.5mm X 50mm 3" X 2" |
| | Screw : M5 or #10. |



EH-90-9519876

| TYPE | SIZE |
|-----------|------------------------|
| Barrel Up | 77mm X 51mm 3" X 2" |
| | Screw : M5 or #10. |



PRODUCT PAGE

For technical and availability information,
please contact Onmar.

+46 (0) 16 42 86 80

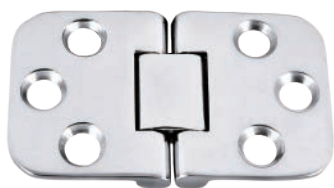
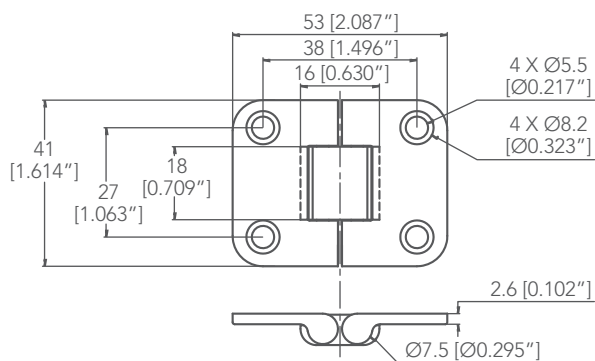
info@onmar.se

www.onmar.se



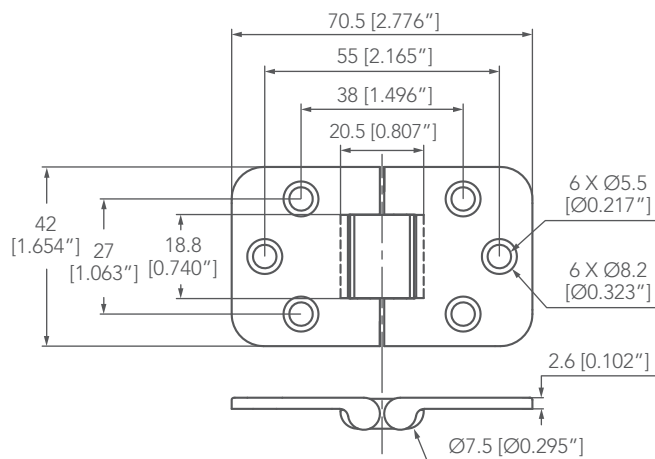
EH-4DF-4V5-24

| TYPE | SIZE |
|-------------|--|
| Barrel Down | 41mm X 53mm 1-5/8" X 2-1/16" Screw : M4 or #8. |



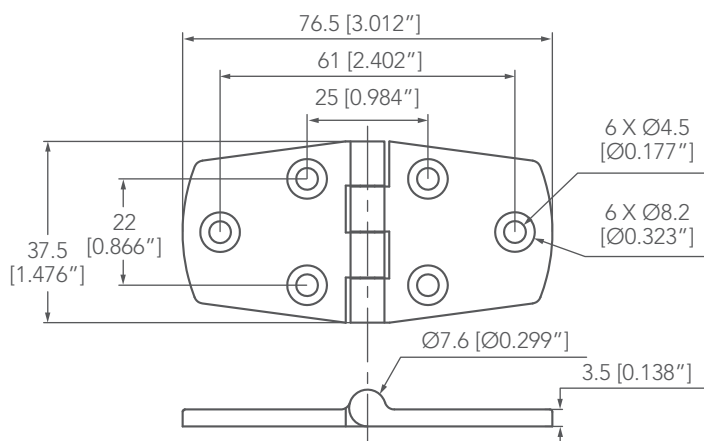
EH-4DF-4V7-24

| TYPE | SIZE |
|-------------|---|
| Barrel Down | 42mm X 70.5mm 1-5/8" X 2-3/4" Screw : M4 or #8. |



EH-4A-4V8-24

| TYPE | SIZE |
|-----------|---|
| Barrel Up | 37.5mm X 76.5mm 1-1/2" X 3" Screw : M4 or #8. |



PRODUCT PAGE

For technical and availability information,
please contact Onmar.

+46 (0) 16 42 86 80

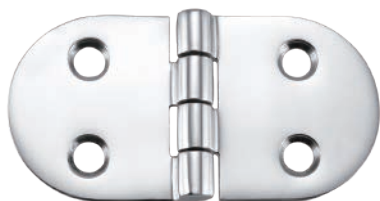
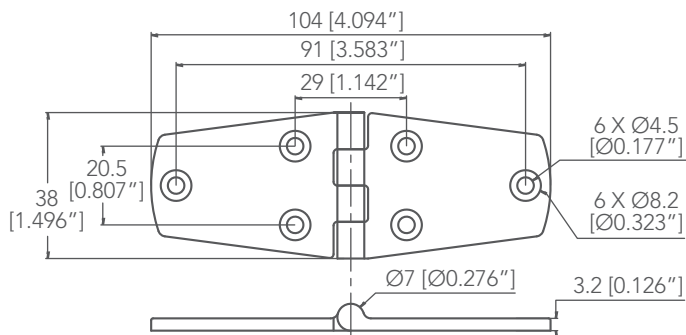
info@onmar.se

www.onmar.se



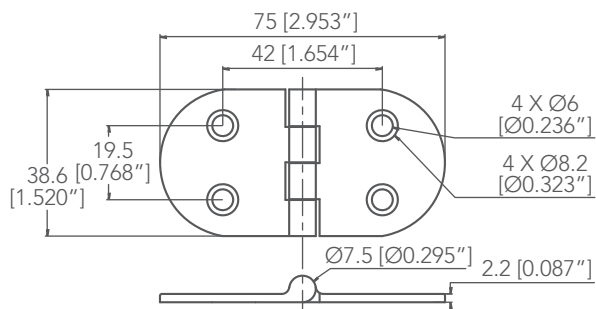
EH-90-8936636-1

| TYPE | SIZE |
|-----------|---|
| Barrel Up | 38mm X 104mm 1-1/2" X 4-1/16" Screw : M4 or #8. |



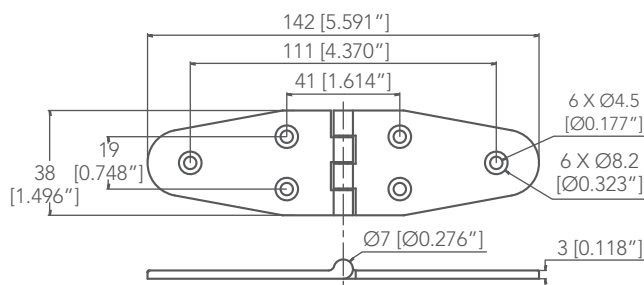
EH-4A-4V8A1-24

| TYPE | SIZE |
|-----------|---|
| Barrel Up | 38.6mm X 75mm 1-1/2" X 2-15/16" Screw : M4 or #8. |



EH-4A-4V14-24

| TYPE | SIZE |
|-----------|---|
| Barrel Up | 38mm X 142mm 1-1/2" X 5-9/16" Screw : M4 or #8. |



PRODUCT PAGE

For technical and availability information,
please contact Onmar.

+46 (0) 16 42 86 80

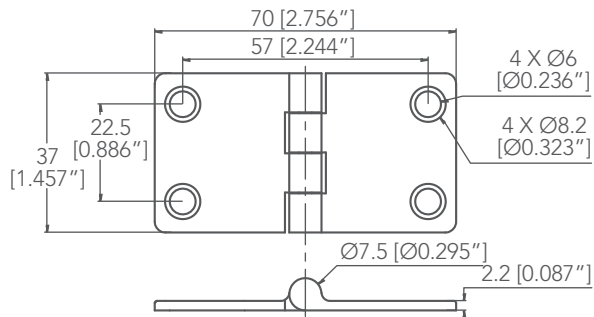
info@onmar.se

www.onmar.se



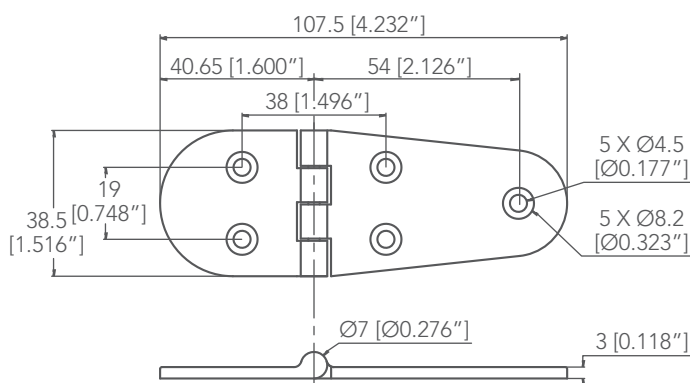
EH-4A-4V7-24

| TYPE | SIZE |
|-----------|--|
| Barrel Up | 37mm X 70mm 1-7/16" X 2-3/4" Screw : M4 or #8. |



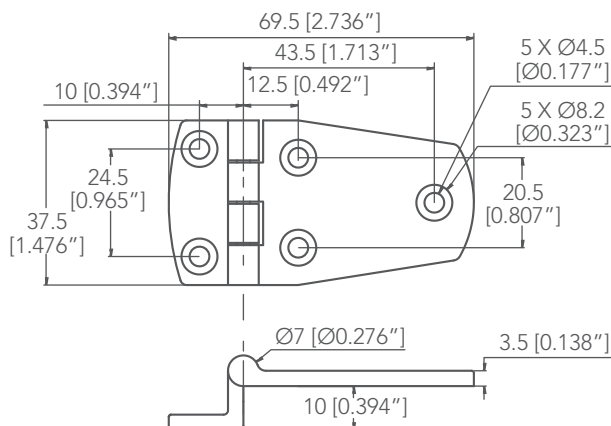
EH-4C-4V11-24

| TYPE | SIZE |
|-----------|--|
| Barrel Up | 38.5mm X 107.5mm 1-1/2" X 4-1/4" Screw : M4 or #8. |



EH-4C-4V7A1-24

| TYPE | SIZE |
|--------------|---|
| Offset Hinge | 37.5mm X 69.5mm 1-1/2" X 2-3/4" Screw : M4 or #8. |



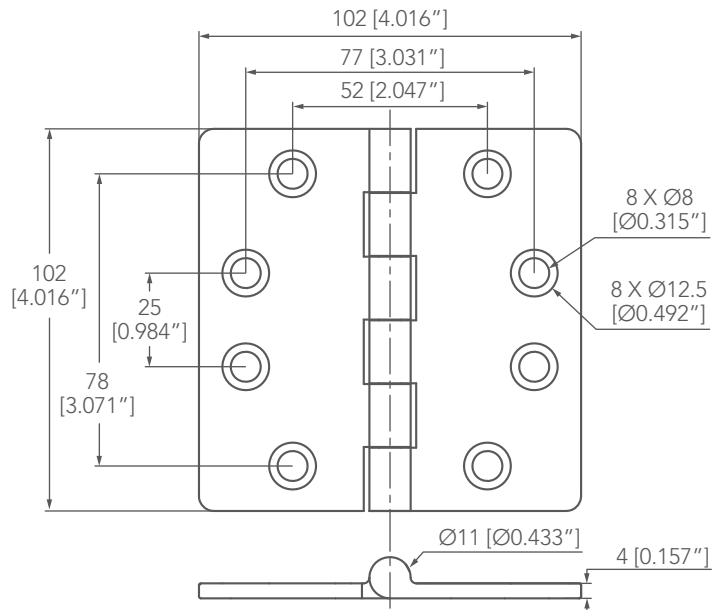
PRODUCT PAGE

For technical and availability information,
please contact Onmar.

+46 (0) 16 42 86 80

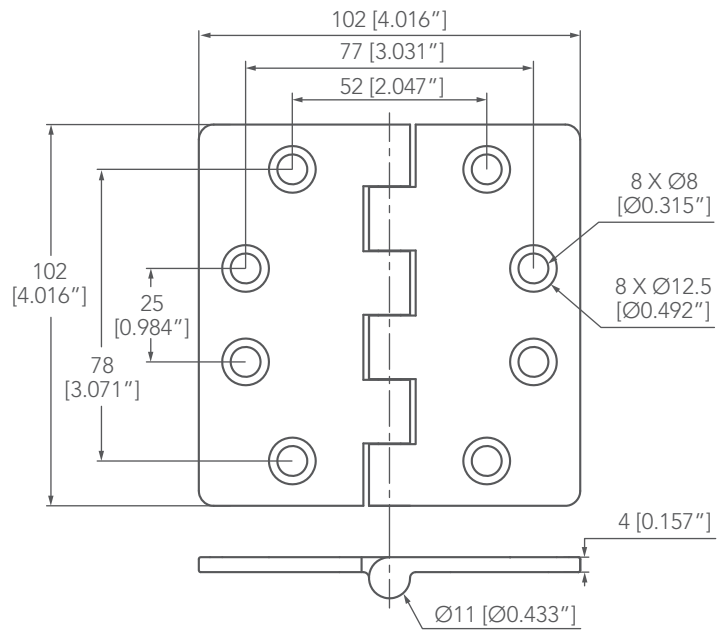
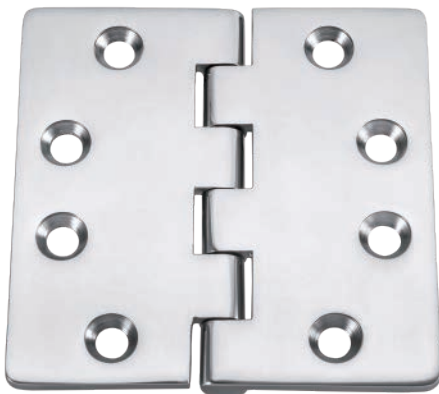
info@onmar.se

www.onmar.se



EH-6A-10V10-24

| TYPE | SIZE |
|-----------|---|
| Barrel Up | 102mm X 102mm 4" X 4" Screw : M6 or 1/4". |



EH-6AF-10V10-24

| TYPE | SIZE |
|-------------|---|
| Barrel Down | 102mm X 102mm 4" X 4" Screw : M6 or 1/4". |

PRODUCT PAGE

For technical and availability information,
please contact Onmar.

+46 (0) 16 42 86 80

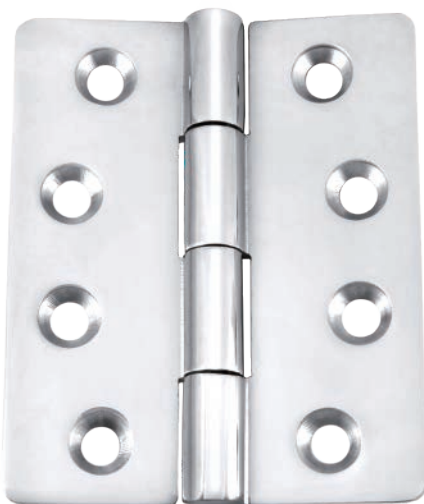
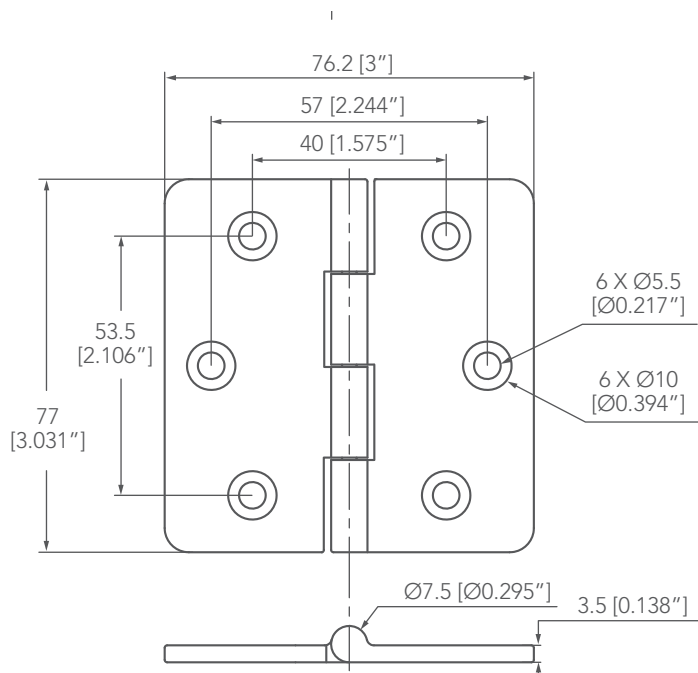
info@onmar.se

www.onmar.se



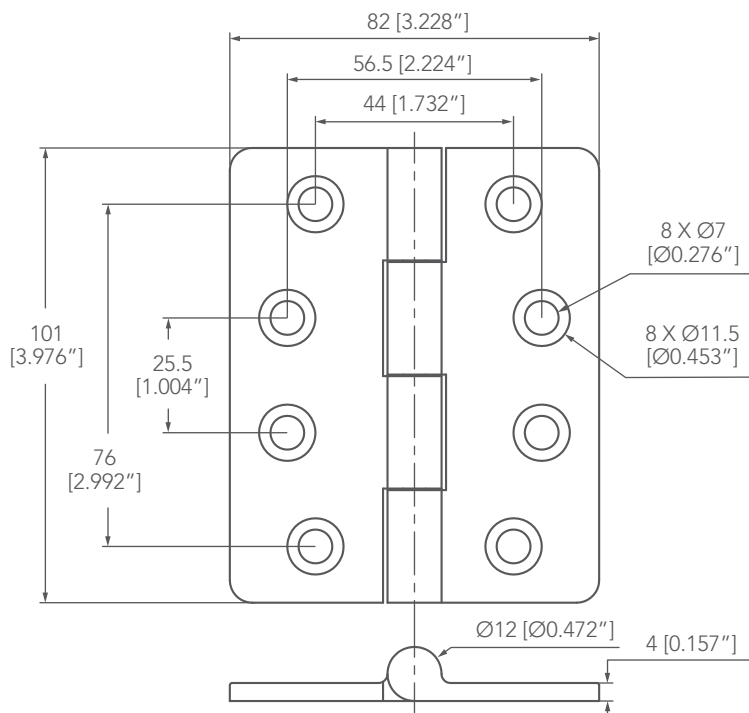
EH-4A-8V8-24

| TYPE | SIZE |
|-----------|--|
| Barrel Up | 77mm X 76.2mm 3" X 3" Screw : M5 or #10. |



EH-6A-10V8-24

| TYPE | SIZE |
|-----------|--|
| Barrel Up | 101mm X 82mm 4" X 3-1/4" Screw : M6 or 1/4". |



PRODUCT PAGE

For technical and availability information,
please contact Onmar.

+46 (0) 16 42 86 80

info@onmar.se

www.onmar.se



EH-6A-15V10-24

| TYPE | SIZE |
|-----------|------------------|
| Barrel Up | 98,4mm X 152,4mm |

